

BOX CONTENTS

OrthoAir™ Bed



Easy-Inflate Mouthpiece



INFLATION INSTRUCTIONS

PLEASE READ!

SnooZzy OrthoAir™ comes with an easy-inflate mouthpiece and can also be inflated orally.

Figure A – To inflate the bed with the Easy-Inflate Mouthpiece, open the air nozzle. Insert the pointed tip of the mouthpiece into the nozzle so the valve opens. Make sure mouthpiece is pushed all the way down to create seal. Blow into the mouthpiece until the bed is at desired firmness. Close air nozzle.

Figure B – To inflate the bed without the Easy-Inflate Mouthpiece, open the air valve, pinch and blow into air nozzle until the bed is at desired firmness. Close air nozzle.

NOTE If you use an air compressor, especially those at Service Stations, ensure that you don't over inflate the bed as you WILL damage it. Precision Pet Products will not cover damages resulting from inflation devices not included in the packaging.

DEFLATION INSTRUCTIONS

Open air nozzle. Pinch air valve or insert Easy-Inflate Mouthpiece until air is removed.

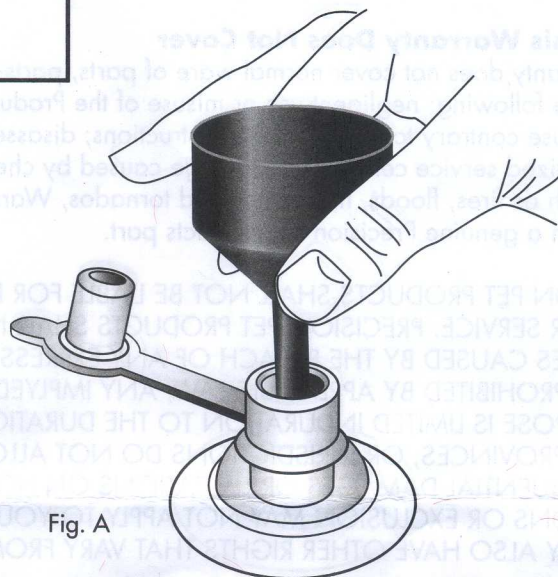


Fig. A

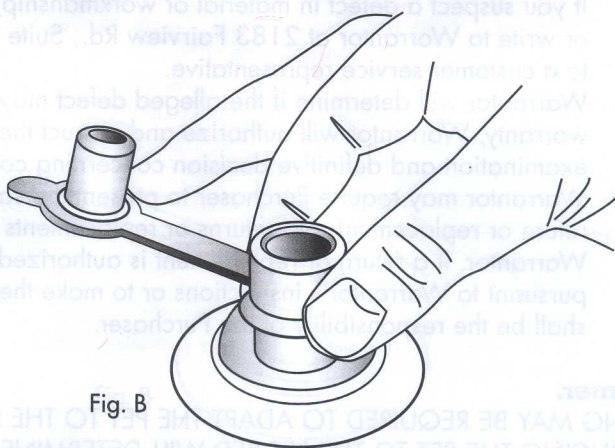


Fig. B

CLEANING INSTRUCTIONS

Remove slip cover from bed and machine wash in cold water on gentle cycle using a mild detergent. Tumble dry on cool setting or low heat. Do not use bleach. If necessary, clean the PVC bed surface with water and mild detergent.

STORE AND REPAIR

Product should be completely dry and clean before storing. It is recommended that air be completely removed. Store in a cool, dry location.

For inadvertent punctures, it is recommended that you use an adhesive PVC patch (included) or a standard bicycle tire repair kit that can be purchased at most major retailers.