

Yuppy Puppy™

FOOD & TREAT MACHINE

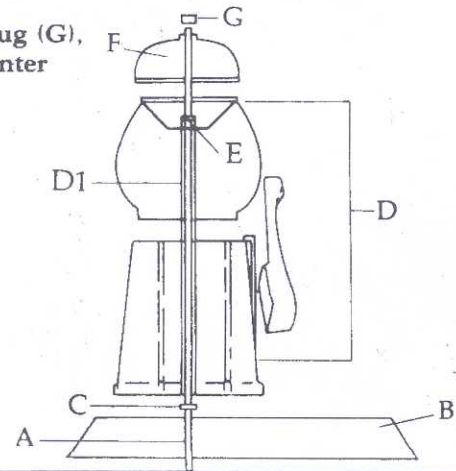


Yuppy Puppy Food & Treat Machine Assembly Instructions

1. Assemble thin threaded center rod (A) with nut to top of black base (B). apply approximately 3-4 turns. Hand tighten nut (C) to base.
2. Place machine (D) on black base (B), inserting threaded center rod (A) through small opening in center of machine (D1). Hand tighten nut (E).

Note: If center rod does not extend properly to assemble screw plug (G), remove base and adjust length of rod by turning clockwise or counter clockwise as appropriate.

3. Fill machine with dry food/treats.
4. Set cap (F) on top of globe. over threaded rod (A).
5. Hand tighten screw plug (G) on to threaded rod (A).
6. Machine is now assembled and ready to use.



How to Use the Yuppy Puppy Food & Treat Machine

The Yuppy Puppy Food & Treat Machine is really easy to use...with a little help and patience from you, your pet should learn how to operate the machine in two weeks. You will have fun working with your pet and he/she will love the rewards they earn by learning how to work the machine.

1. Teach your pet to give his/her paw.
2. Place paw on Food & Treat Machine bone. Press bone down and treat will fall down the shoot.
3. Repeat procedure until your pet learns how to operate the Food & Treat Machine.

You might push the bone with your hand or foot first as a demonstration on how the machine works. Most pets will associate the action with the treat coming out of the machine. Some pets will take a little longer. One thing we are sure of is that once your pet learns how to operate the treat machine he/she will have as much fun working it as you will have watching.

No coins Required

Dispenses many dry pet foods

All metal construction with Acrylic globe and hardened composition material bone handle. Pet food tray is high density PolyPropylene

1992 Lucky Yuppy Puppy Co. All rights reserved
No part of this work may be reproduced or transmitted for any reason whatsoever, in any form, by any means, electronic or mechanical, including photocopying and recording, or by any information storage or retrieval system without the express permission in writing from Lucky Yuppy Puppy Co.



Lucky Yuppy Puppy Co.

521 W. Golf Rd.,
Arlington Hts., IL 60005

MADE IN CHINA